



# COMPACTORS

**Built Better Than  
They Have To Be**



Max-Pak Compactors are built with the same attention to quality and durability as our legendary balers. We use only the finest steel plate in construction, and abrasion resistant steel for high wear areas. Electrical and hydraulic components are rated well beyond their expected demands, and are selected only after we're satisfied they will provide years of dependable service. Our customers have learned to trust the high standards we establish for Max-Pak equipment, and the demands we place on ourselves to provide only the best. We're not the biggest baler and compactor company, so we understand the importance of building a better machine...built better than it has to be, because our reputation and your long term satisfaction demand nothing less.

## GENERAL SPECIFICATIONS

STANDARD SPECS	MP200HD	MP300HD	MP400HD	MP500HD
Charge Box Capacity	2 Cubic Yards	3 Cubic yards	4 Cubic Yards	5 Cubic yards
Clear Top Opening	43 x 60	50 x 60	65 x 60	85 x 60
Cycle Time	57 Seconds	60 Seconds	60 Seconds	80 Seconds
Total Force - Normal	47,600	47,600	64,600	64,600
Total Force - Maximum	56,000	56,000	76,000	76,000
Ram Face Pressure - Normal	27 psi	27 psi	36 psi	36 psi
Ram Face Pressure - Maximum	31 psi	31 psi	43 psi	43 psi
Ram Penetration	14"	14"	14"	15"

## HYDRAULIC & ELECTRICAL

Motor	10HP	15HP	15HP	20HP
Cylinder Bore x Rod x Stroke	6" x 2.5" x 55"	6" x 3.5" x 65"	7" x 4.5" x 80"	7" x 4.5" x 100"
Operating Pressure - Normal	1700 psi	1700 psi	1700 psi	1700 psi
Operating Pressure - Maximum	2000 psi	2000 psi	2000 psi	2000 psi

## STRUCTURAL

Unit Weight	4,100 lbs.	5,800 lbs.	7,500 lbs.	12,000 lbs.
Floor	1/2" Plate	1/2" Plate	1/2" Plate	3/4" Plate
Sides	1/4" Plate	1/4" Plate	1/4" Plate	3/8" Plate
Breaker Bar	8 x 6 x 1 Angle	8 x 6 x 1 Angle	8 x 6 x 1 Angle	8 x 6 x 1.5 Angle
Ram Face	1/2" Plate	1/2" Plate	3/4" Plate	3/4" Plate
Ram Top	1/4" Plate	1/4" Plate	1/4" Plate	3/8" Plate
Ram Sides	1/4" Plate	1/4" Plate	1/4" Plate	3/8" Plate
Ram Bottom	3/8" AR Plate	1/2" AR Plate	1/2" AR Plate	1/2" AR Plate

## FEATURES

### STANDARD FEATURES

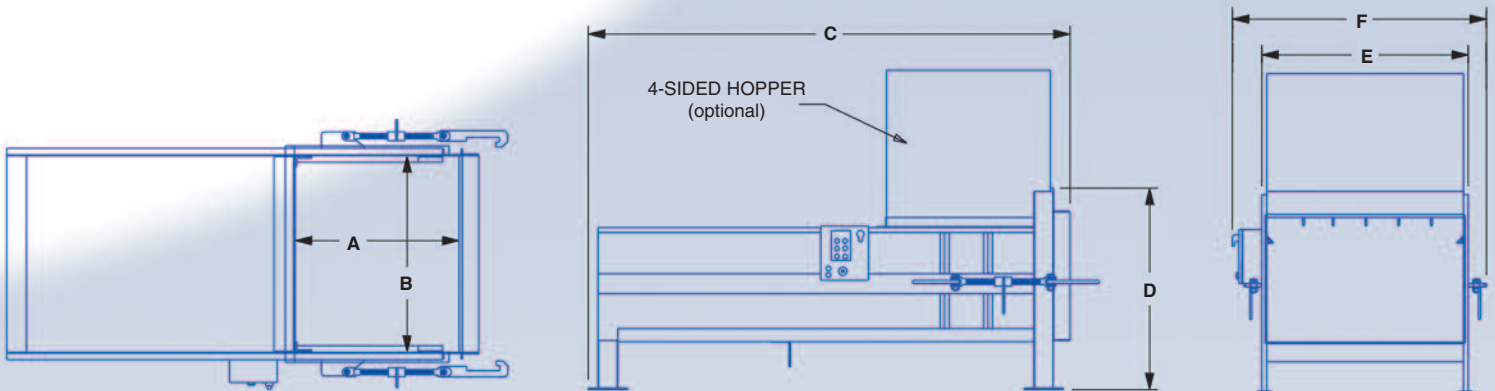
- Key Start – Push Button – Control Station Mounted on 15' Sealite
- Right or Left Side Mounted Power Unit
- Power Unit Weather Cover
- NEMA 4 Weather Proof Gasket Control Board
- UL Listed Control Panel
- Override – Packout – Hydraulic Pressure Boost

### OPTIONS

- Additional Keyed Start/Stop Remote Push Button Station on 15' Sealite
- 75% Full Advanced Warning Light
- 575 Volt Motor
- Multi-Cycle Timer
- Low Oil / High Temp Light
- 3-Sided Hopper (Left or Right Feed)
- 4-Sided Top Hopper
- 5' Guide Island
- Walk / Drive-On Dock Mounts with 42" Hopper & Hand Rails
- Walk / Drive-On Dock Mounts with Safety Gate Hopper & Hand Rails

## MEASUREMENTS (inches)

MODEL	A	B	C	D	E	F
MP200HD	43	60	124	62.75	64	78
MP300HD	50	60	147	62.75	64	78
MP400HD	65	60	179	62.75	64	78
MP500HD	85	60	217	62.75	64	78



## Waste Processing Equipment, Inc.

260 Dilbeck Road / P.O. Box 1047 • Rainsville, AL 35968

Toll Free: 800-225-6458